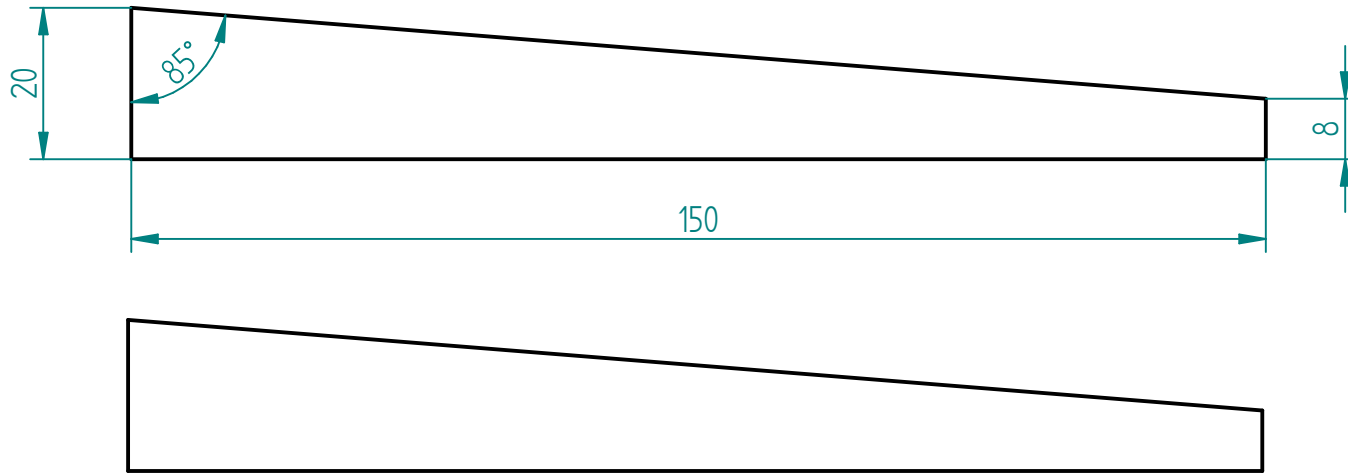


**IWC19 Cladding Profile**  
**Feather Edged Cladding**  
 125mm Face (At 25mm overlap)  
 For Horizontal Installation

REVISION HISTORY			
REV	DESCRIPTION	DATE	APPROVED


Feather edged profiles are sawn and not machined and therefore the taper thickness dimensions may differ slightly from those shown.



Instant pricing calculator at  
[www.iwood.co.uk](http://www.iwood.co.uk)

iWood Timber Ltd

01889 279 018

	NAME	DATE			
DRAWN	LeighT	26/05/22			
CHECKED			TITLE		
ENG APPR					
MGR APPR					
UNLESS OTHERWISE SPECIFIED DIMENSIONS ARE IN MILLIMETERS ANGLES ±X.X° 2 PL ±X.XX 3 PL ±X.XXX			SIZE	DWG NO	REV
			A4		
SCALE:			WEIGHT:	SHEET 1 OF 1	